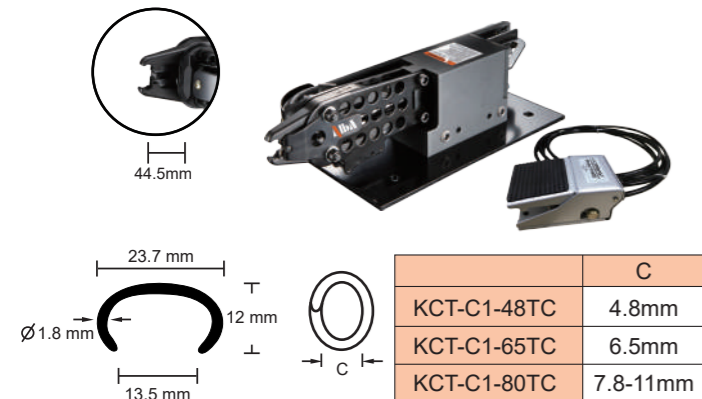


KCT-C1-TC 48 | 65 | 80

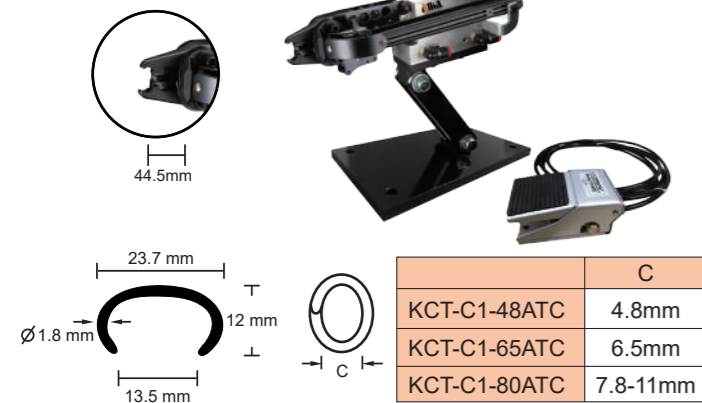
15 GAUGE AIR C RINGER



	LENGTH	WIDTH	HEIGHT	WEIGHT
DIMENSION	315mm	90mm	182mm	4.5kg
CAPACITY	100 NAILS			
PRESSURE	5~7 BAR/ 70~100 PSI			
PACKING	4PCS/CTN/17.3/18.3/1.64'			

KCT-ATC-C1 48 | 65 | 80

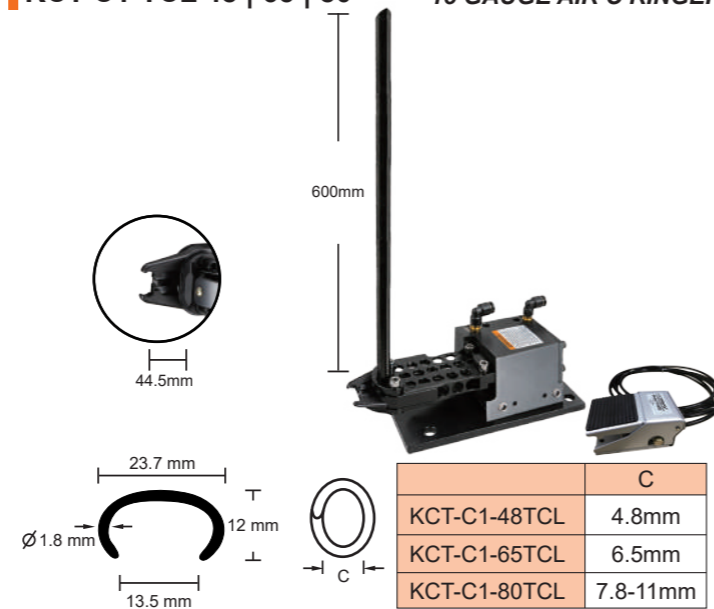
15 GAUGE AIR C RINGER



	LENGTH	WIDTH	HEIGHT	WEIGHT
DIMENSION	315mm	90mm	182mm	6.5kg
CAPACITY	100 NAILS			
PRESSURE	5~7 BAR/ 70~100 PSI			
PACKING	VALID OPERATION HEIGHT: +23cm ~ -12cm			

KCT-C1-TCL 48 | 65 | 80

15 GAUGE AIR C RINGER



	LENGTH	WIDTH	HEIGHT	WEIGHT
DIMENSION	315mm	90mm	605mm	8.0kg
CAPACITY	300 NAILS			
PRESSURE	5~7 BAR/ 70~100 PSI			
PACKING	VALID OPERATION HEIGHT: +23cm ~ -12cm			



King Cho Machinery Ind. Co., Ltd.

No.168 Cheng Kuang St.
Taichung City, 41173 Taiwan

Tel : +886-4-2271 0062
Fax : +886-4-2271 0050
E-mail : sales@alba-tools.com.tw
www.alba-tools.com.tw



**PNEUMATIC
HOG RING PLIERS**



KCT-C1 48 | 65 | 80

15 GAUGE AIR C RINGER

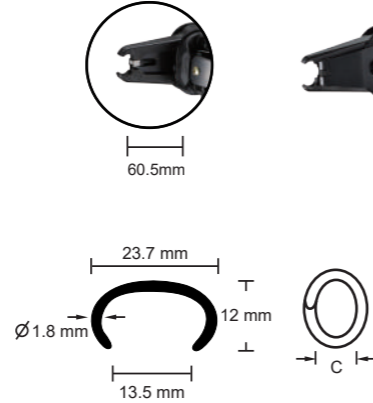


	C
KCT-C1-48	4.8mm
KCT-C1-65	6.5mm
KCT-C1-80	7.8-11mm

	LENGTH	WIDTH	HEIGHT	WEIGHT
DIMENSION	315mm	90mm	182mm	1.6kg
CAPACITY	100 NAILS			
PRESSURE	5~7 BAR/ 70~100 PSI			
PACKING	5PCS/CTN/10/11/1.77'			

KCT-C2-80

15 GAUGE AIR C RINGER

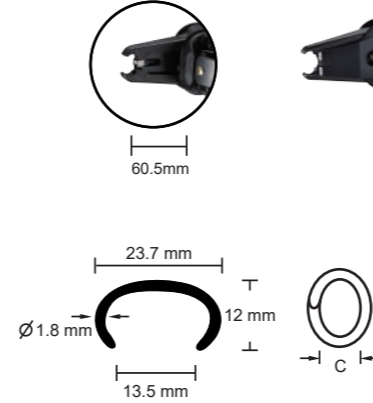


	C
KCT-C2-80	7.8-11mm

	LENGTH	WIDTH	HEIGHT	WEIGHT
DIMENSION	332mm	90mm	182mm	1.6kg
CAPACITY	100 NAILS			
PRESSURE	5~7 BAR/ 70~100 PSI			
PACKING	5PCS/CTN/10/11/1.77'			

KCT-C2-80S

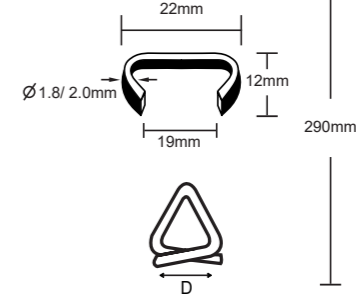
15GA AIR C RINGER- SIDE AIR INLET



	C
KCT-C2-80S	7.8-11mm

	LENGTH	WIDTH	HEIGHT	WEIGHT
DIMENSION	332mm	90mm	182mm	1.6kg
CAPACITY	100 NAILS			
PRESSURE	5~7 BAR/ 70~100 PSI			
PACKING	5PCS/CTN/10/11/1.77'			

KCT-D22 14/ 15 GA AIR PISTON RETURNED D RINGER

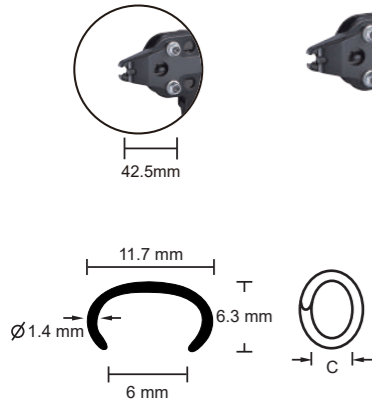


	D
KCT-D22	5-7mm

	LENGTH	WIDTH	HEIGHT	WEIGHT
DIMENSION	340mm	47mm	250mm	1.7kg
CAPACITY	125 NAILS			
PRESSURE	3.5~6.2 BAR/ 50~90 PSI			
PACKING	5PCS/CTN			

KCT-ESC1-15

17 GAUGE AIR C RINGER

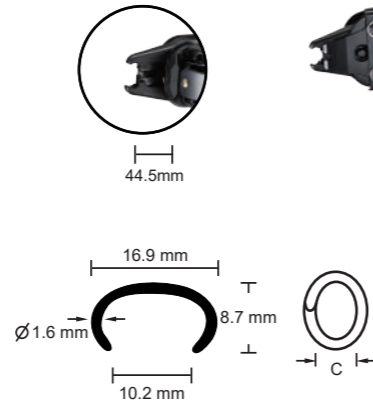


	C
KCT-ESC1-15	1.5-2.0mm

	LENGTH	WIDTH	HEIGHT	WEIGHT
DIMENSION	285mm	100mm	200mm	1.5kg
CAPACITY	100 NAILS			
PRESSURE	5~7 BAR/ 70~100 PSI			
PACKING	5PCS/CTN/10/11/1.77'			

KCT-SC1 25 | 30 | 45

16 GAUGE AIR C RINGER



	C
KCT-SC1-25	2.5-3.0mm
KCT-SC1-30	3.0mm
KCT-SC1-45	4.5mm

	LENGTH	WIDTH	HEIGHT	WEIGHT
DIMENSION	285mm	100mm	200mm	1.5kg
CAPACITY	100 NAILS			
PRESSURE	5~7 BAR/ 70~100 PSI			
PACKING	5PCS/CTN/10/11/1.77'			

KCT-SC1-TC 25 | 30 | 45

16 GAUGE AIR C RINGER



	C
KCT-SC1-25TC	2.5-3.0mm
KCT-SC1-30TC	3.0mm
KCT-SC1-45TC	4.5mm

	LENGTH	WIDTH	HEIGHT	WEIGHT
DIMENSION	285mm	100mm	200mm	4.5kg
CAPACITY	100 NAILS			
PRESSURE	5~7 BAR/ 70~100 PSI			
PACKING	4PCS/CTN/17.3/18.3/1.64'			

KCT-SC1-ATC 25 | 30 | 45 16 GAUGE AIR C RINGER



	C
KCT-SC1-25ATC	2.5-3.0mm
KCT-SC1-30ATC	3.0mm
KCT-SC1-45ATC	4.5mm

	LENGTH	WIDTH	HEIGHT	WEIGHT
DIMENSION	285mm	100mm	200mm	6.5kg
CAPACITY	100 NAILS			
PRESSURE	5~7 BAR/ 70~100 PSI			
JAW RANGE	VALID OPERATION HEIGHT: +23cm ~ -12cm			